

Applicant(s): Takeshi Nishi, et al  
A LIQUID CRYSTAL ELECTRO-OPTICAL DEVICE AND  
METHOD OF DRIVING THE SAME

FIG. 1A

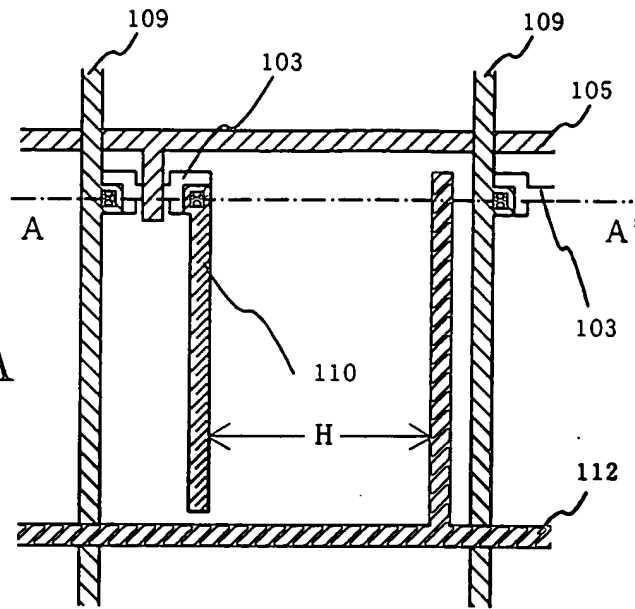


FIG. 1B

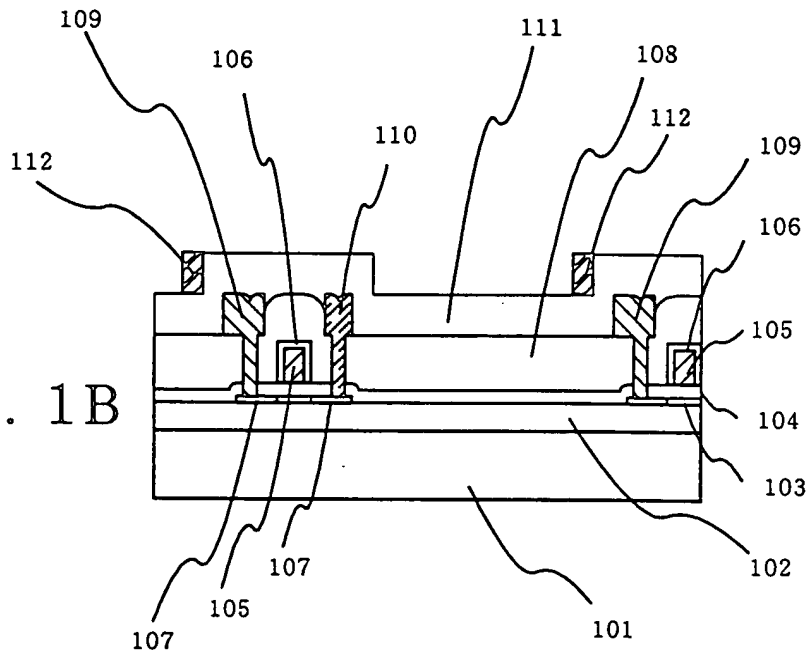


FIG. 2

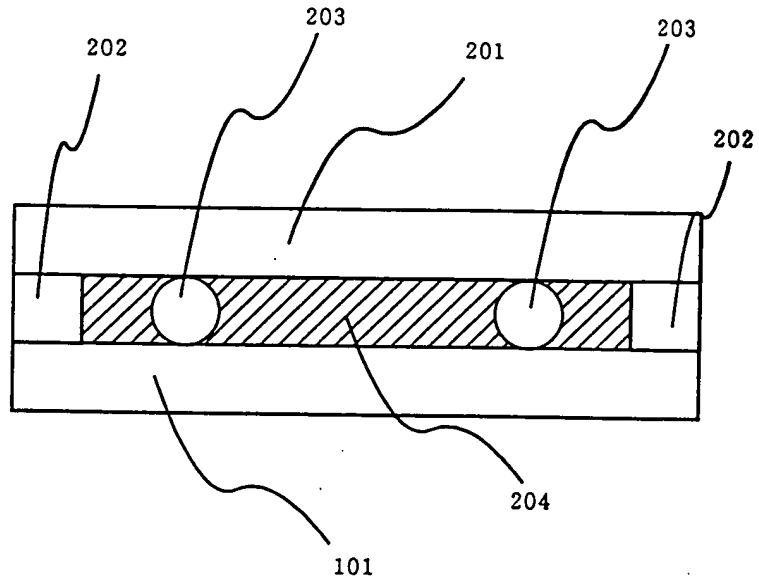
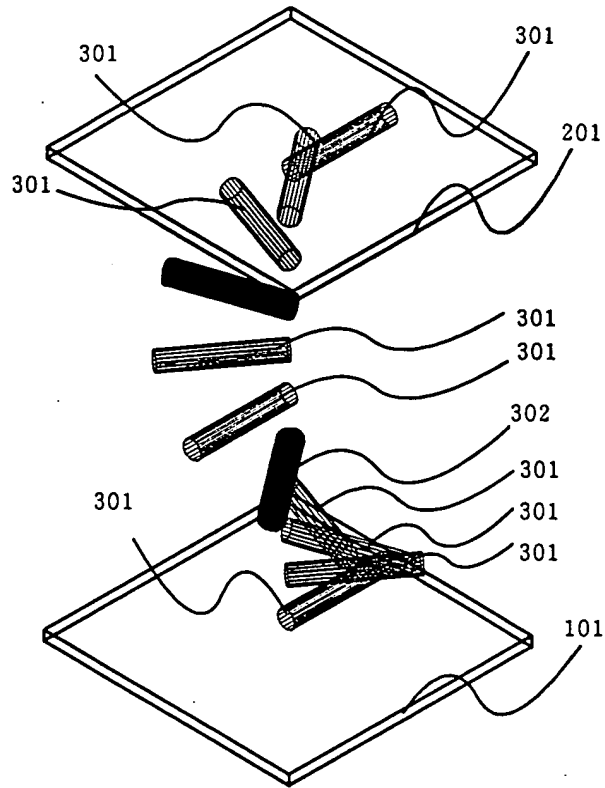
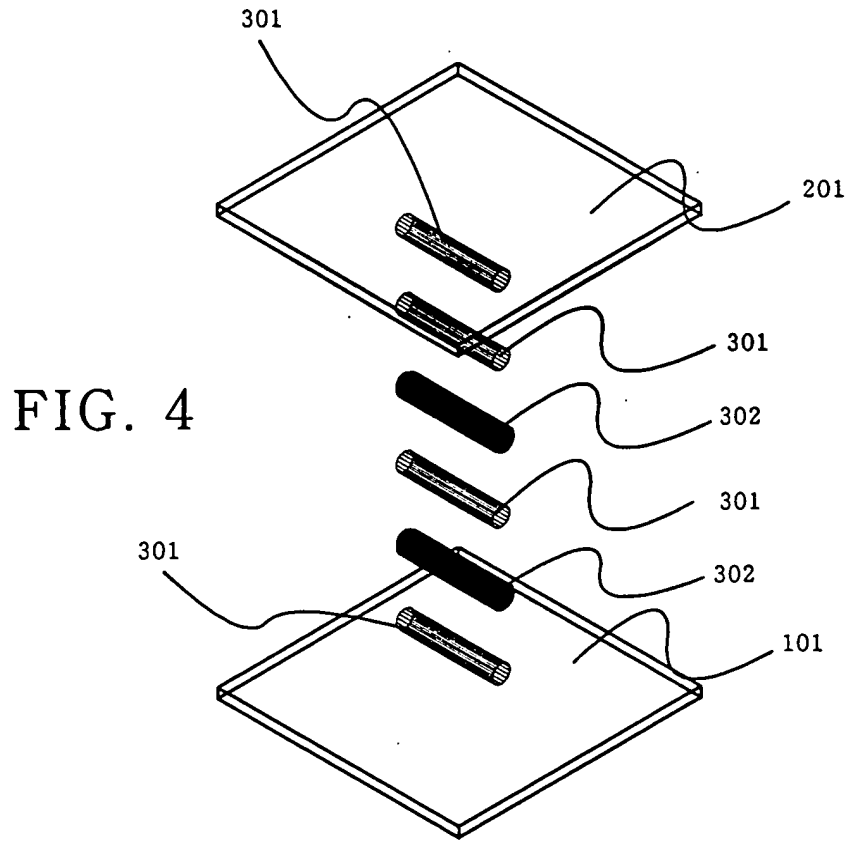


FIG. 3





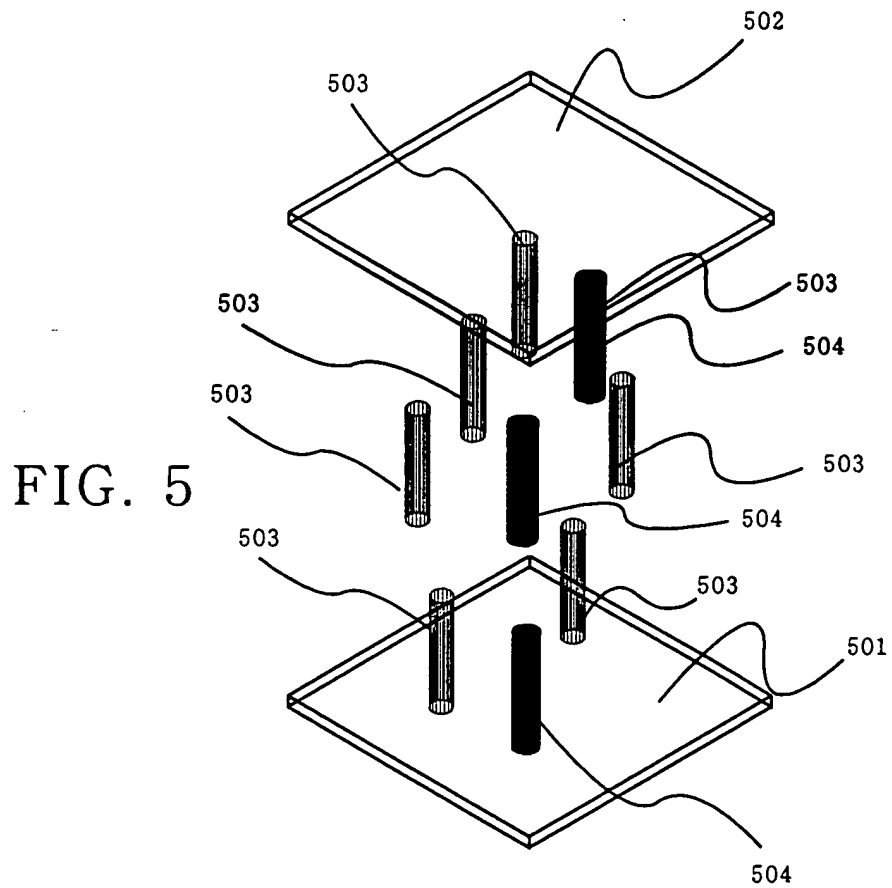


FIG. 5

PRIOR ART